

HASLER

OPERATING GUIDE



**HJOG 100**

Paper Jogger

**HASLER**  
America's better choice.®

## INTRODUCTION:

Thank you for selecting the Martin Yale Model 400 Jogger. The Model 400 Jogger has been developed for ease of operation and maintenance, however, we recommend that you familiarize yourself with the machine by carefully reading these instructions.

**WARNING: THIS MACHINE CONTAINS MOVING PARTS THAT CAN CATCH HAIR OR LOOSE CLOTHING AND PINCH FINGERS. DURING OPERATION AND MAINTENANCE, KEEP HANDS, HAIR, AND LOOSE CLOTHING CLEAR OF MOVING PARTS. SERVICE OR DISASSEMBLY SHOULD BE DONE WITH POWER CORD DISCONNECTED.**

**WARNING: THE UNIT SHALL BE CONNECTED TO SUITABLE EARTHED MAINS SOCKET-OUTLET.**

**WARNING: NO USER REPLACEABLE PART INSIDE.**

**WARNING: THE PLUG SHALL BE USED TO DISCONNECT MAINS POWER.**

**WARNING: THE SOCKET-OUTLET IS REQUIRED TO BE EASILY ACCESSIBLE.**

## INSTALLATION:

Remove jogger from carton. Remove 2 bolts at bottom which secure packing material to jogger.

Plug unit into an appropriate outlet.

## OPERATION:

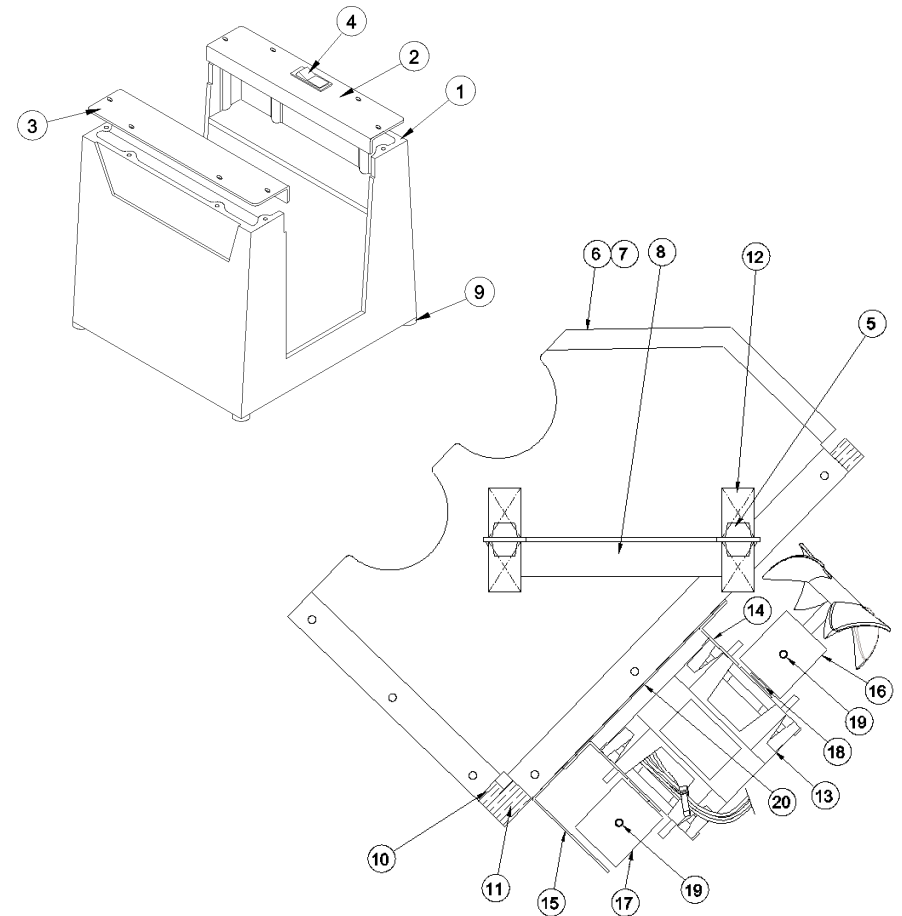
Load paper. Turn Jogger 'ON' by depressing the 'I' side of the switch.

When jogging is complete, turn Jogger 'off'. When Jogger has stopped, remove paper.

## MAINTENANCE:

No user maintenance required.

Hasler HJOG 100 Paper Jogger



KEY	DESCRIPTION	PART NO.	QTY	KEY	DESCRIPTION	PART NO.	QTY
1	Base	M-O400001	1	14	Motor Brkt	W-O400015	2
2	Top Cover-R.H.	W-O400002	1	15	Motor Cover End	W-O400028	1
3	Top Cover-L.H.	W-O400003	1	16	Weight w/Fan	WRO400032	1
4	Switch	M-S033053	1	17	Weight	W-O400032	1
5	Bumpers	M-S030045	12	18	Nylon Washer	M-S019070	1
6	Side Panel-R.H.	W-O400008	1	19	10-32 Set Screw	M-S002007	2
7	Side Panel-L.H.	W-O400009	1	20	Motor Heat Plate	W-O400027	1
8	Side Bracket-R.H.	W-O400010	2	Not Shown			
9	RW Bumper	M-S030003	4		115V Line Cord	M-S037020	1
10	Wood Tray-Bottom	W-O400006	1		Europ. Cord Set	M-S037286	1
11	Wood Tray-Back	W-O400007	1		UK Cord Set	M-S045177	1
12	Springs	M-S031074	8				
13	Motor (110V)	M-S021064	1				
13	Motor (220VAC)	M-S021065	1				