

Table of Contents

SECTION 1		Page
1	Machine specification sheet.....	3
2	Description of unit.....	4
3	Machine features.....	5
4	Machine layout.....	6
5	Turn plate adjustment.....	7

IMPORTANT NOTICE

Before connecting the machine to a power source, please read the Machine Specification Sheet opposite. Ensure that the power cord is undamaged.

MACHINE SPECIFICATION SHEET

1. **CAUTION:** In order to endure correct safety and operation, this machine must be installed and maintained by an authorised Service Engineer.
2. **CAUTION:** Should any cover or safety interlock be damaged, the machine must not be used until service repairs have been completed.
3. **CAUTION: This machine must be earthed.** The wire colors in the mains cord are:
(Green 110v) (Green/Yellow 220/240V) which must be connected to Earth (Ground).
(White 110v) (Blue 220/240v) which must be connected to Neutral.
(Black 110v) (Brown 220/240v) which must be connected to Live (Line).
4. **CAUTION:** This machine must not be used if the mains cord becomes damaged. It must be replaced with a similar mains cord:
Mains Lead (UK) Part No. 162-210
Mains Lead (European) Part No. 162-311
Mains Lead (US) Part No. 162-321
4. **CAUTION:** For continued protection against risk of fire, replace with same type and rating of fuse. The fuse rating and type for this machine is:
T 5 A Amps (Part No. 135-105).

5. Model Details:

Model Name: Franker Link Unit

Model Number: 1421

Input Voltage: 220/240 Volts @ 50 Hz 110 Volts@60Hz

Input current: 0.5 Amps 1.0 Amps

Input Power: 120 Watts 120 Watts

6. The use for this machine is to turn processed envelopes through 90° for franking.
7. The weight of this machine is: 12 kgs. (unpackaged)
16 kgs. (packaged, with accessories)

Lifting or handling must only be carried out by competent persons using appropriate means.

Neopost Technologies Ltd.

Loughton

Essex

England.

Tel. +44 20 8502 1011

Fax. +44 20 8502 4187

2 DESCRIPTION OF UNIT

The Franker Link Unit receives filled envelopes from a 100 or 140 Series and transports them to a franking machine for postal franking. As filled envelopes leave the inserter in the wrong orientation for franking, the Franker Link turns them through a right angle and conveys them to the franking machine.

Recommended Support Stands

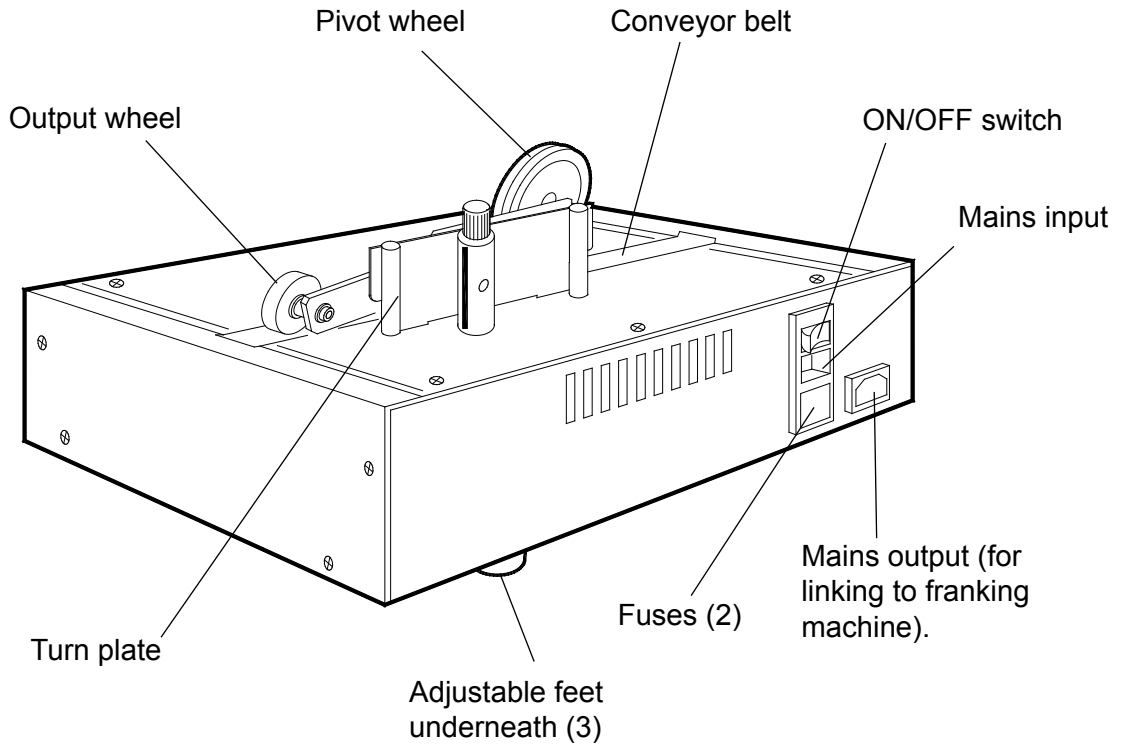
The unit can be used with any compatible franking machine (see below) which may be situated on any height-adjustable table. However, the unit is especially designed to be used with the Franker Stand (order no. A3209A). If the Franker Stand requires extending, an Extension Stand Kit (order no. A3253A) will be required. The set-up of this arrangement is shown on page 4.

IMPORTANT: The Franker Link Unit can be used with a range of Franking Machines, but only On-Line versions, or those adapted to be on-line. The output height of the franker link surface is adjustable between 120mm and 150mm

***Note:* this Operator Manual should be read in conjunction with the relevant mailing machine Operator Manual.**

3 MACHINE FEATURES

Shown below are the operating parts of the machine, viewed from the output end.



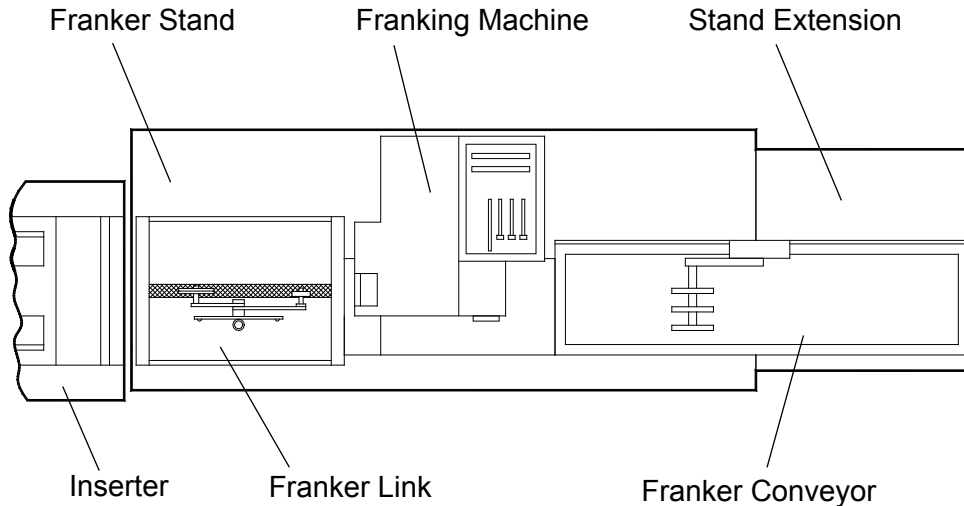
Note: Prior to connection to a mains source, the power leads should be checked to ensure they are sound and undamaged.

An Output Mains Lead (order no. 183-181) is available as an optional extra.

4 MACHINE LAYOUT

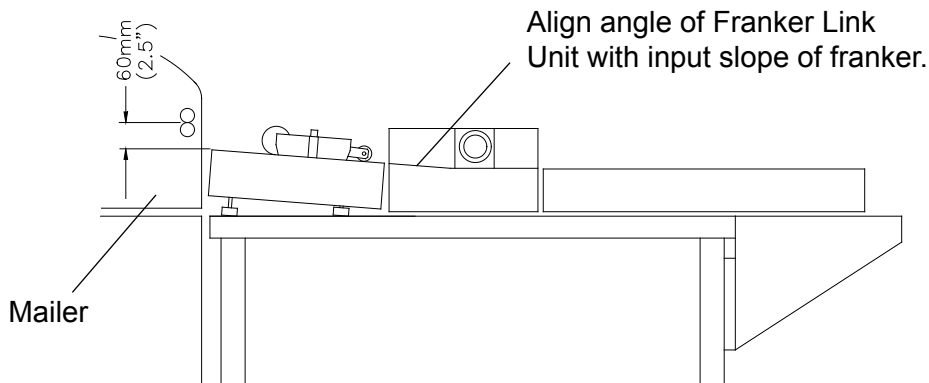
Shown below is the configuration using a franker stand as suggested on Page 2. Use of other equipment may differ to that shown below, but the position of the Franker Link in relation to the franker and inserter will remain similar.

In practice, the various units may not be aligned exactly as shown. When operating, the top edge of the envelope slides along the turn plate, and this should be aligned with the datum edge of the franker. Several envelopes may need to be run through to establish the correct position.



Height Adjustment

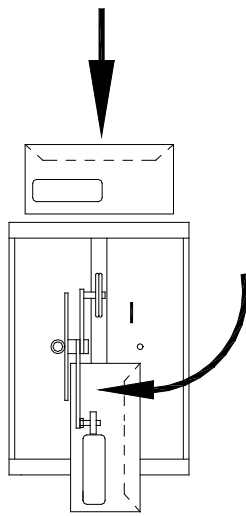
The Franker Link is positioned to match the output of the inserter with the input of the franker. There are 3 adjustable feet underneath the franker link which may be turned in or out to raise or lower the unit. They may be adjusted to tilt the unit so that the angle of its top surface matches that of the input slope of the franking machine, with the adjoining edges of the two units aligned. The table must be adjusted for height so that the top edge of the franker link is approx. 60mm (2.5") below the nip of the output rollers of the mailer. (Depending upon speed, stationery type etc., better results may be achieved by altering this distance). The height adjustment range of the unit is approx. 30mm (1.25").



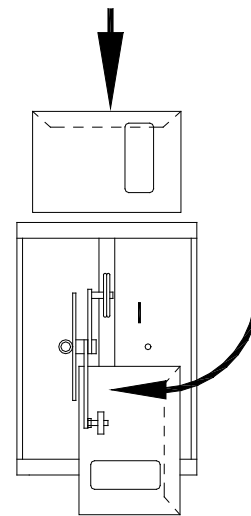
5 TURN PLATE ADJUSTMENT

There are two possible positions for the envelope turn plate (with attached pivot and output wheels), which can be switched from one side to the other to suit the envelope and franker. To change over, unscrew the central post, turn the pivot & output wheels through 180° and screw the assembly back in the other position.

The example below shows both horizontal and vertical window envelopes with the turn plate in the same position, which will suit the majority of cases. Note the relative position of the envelope flap edge (franker datum edge)



Horizontal Window



Vertical Window

**Page intentionally
left blank**